



INSTALLATION INSTRUCTIONS (K135)

Sportlid II with Proform Sportbar
Isuzu-RT50 DMax-2012-Double Cab

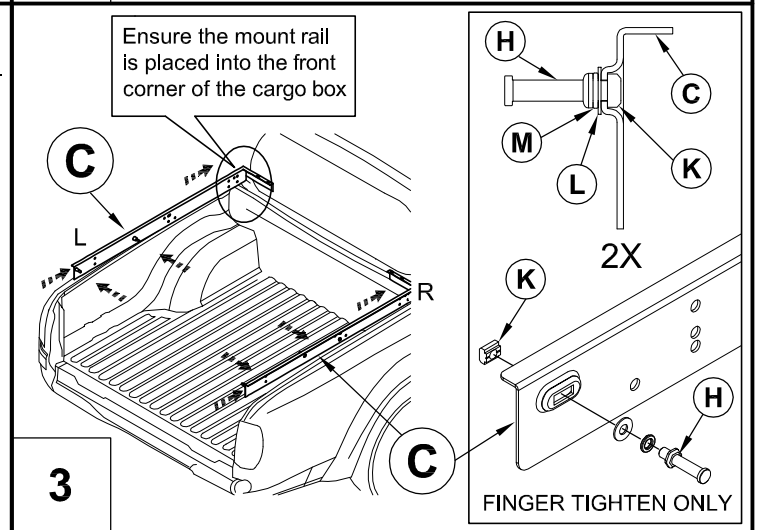
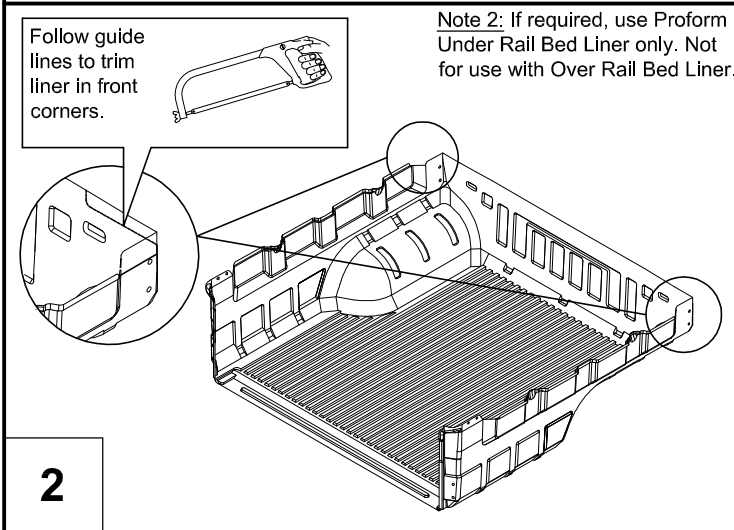
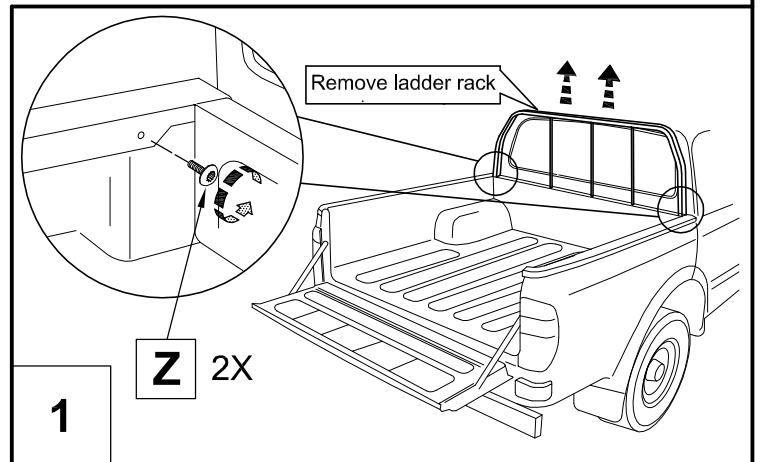
A 1X	B L R 1X	C L R 1X	D 1X	E 2X	F M8x30mm 8X	G 2X		
H 2X	I 120N 518mm 2X	J 2X	K 2X	L M8x19mm 14X	M M8 Stainless Steel Spring Washer 14X	N T-SEAL 1220mm 1X	O 2X	P M8x20mm 4X

Q PROFORM PART 0000299 1X Refer to K307 for Sportbar assembly. Assemble bar before lid fitment	R M4 Spring Washer 2X	S Stainless steel thumb screw 2X
---	--	---

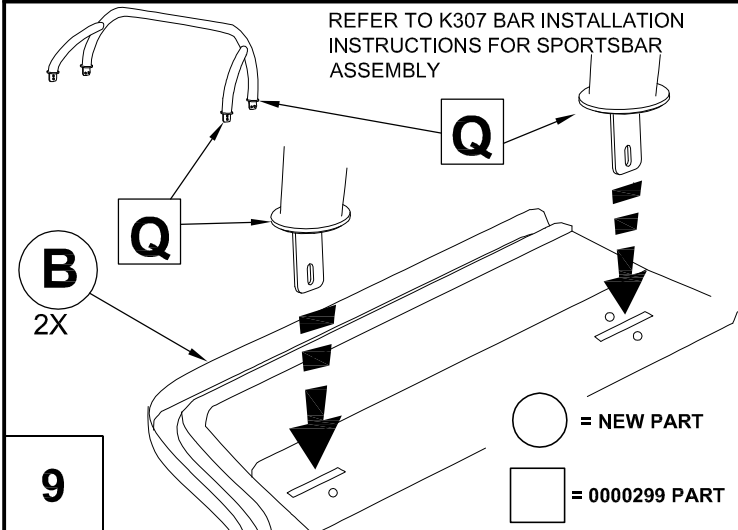
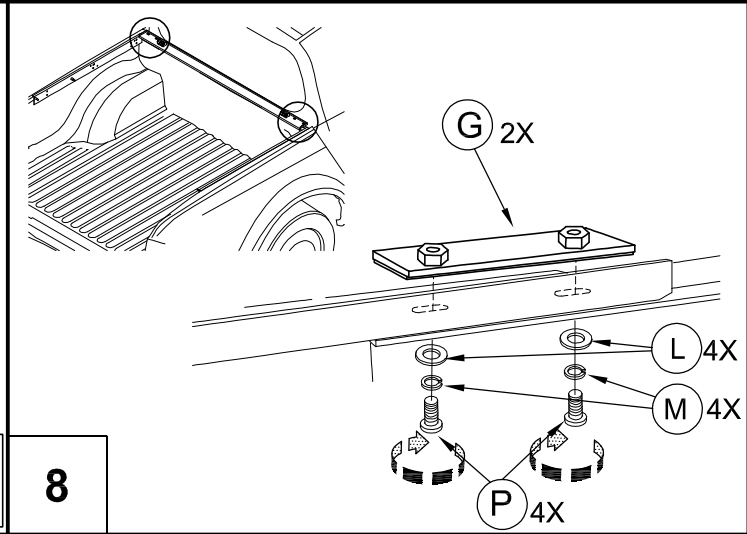
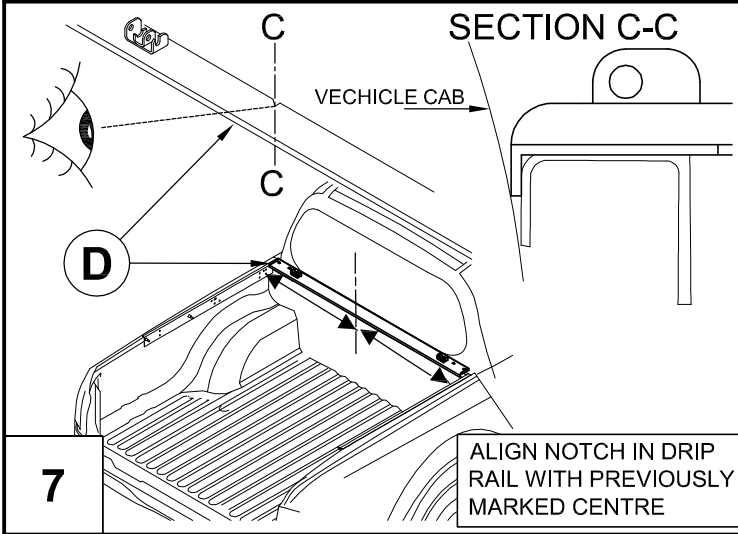
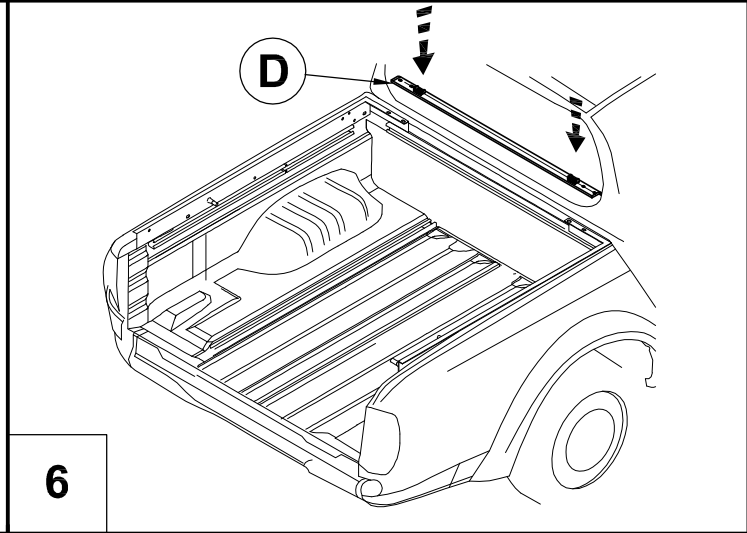
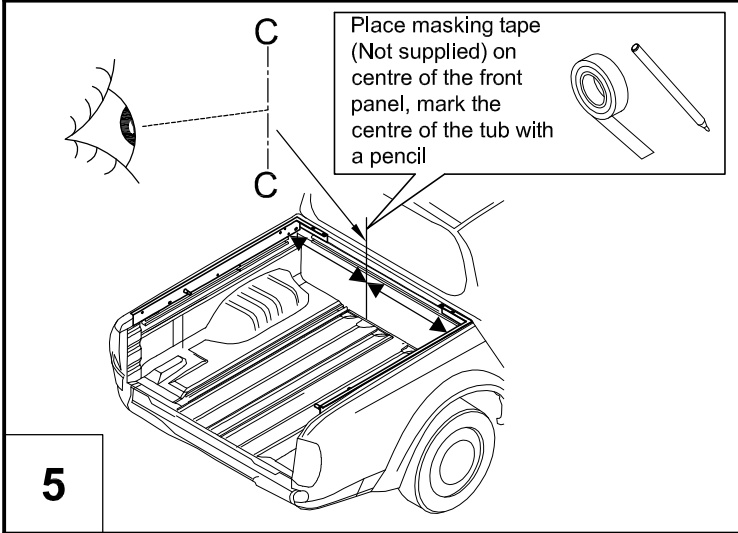
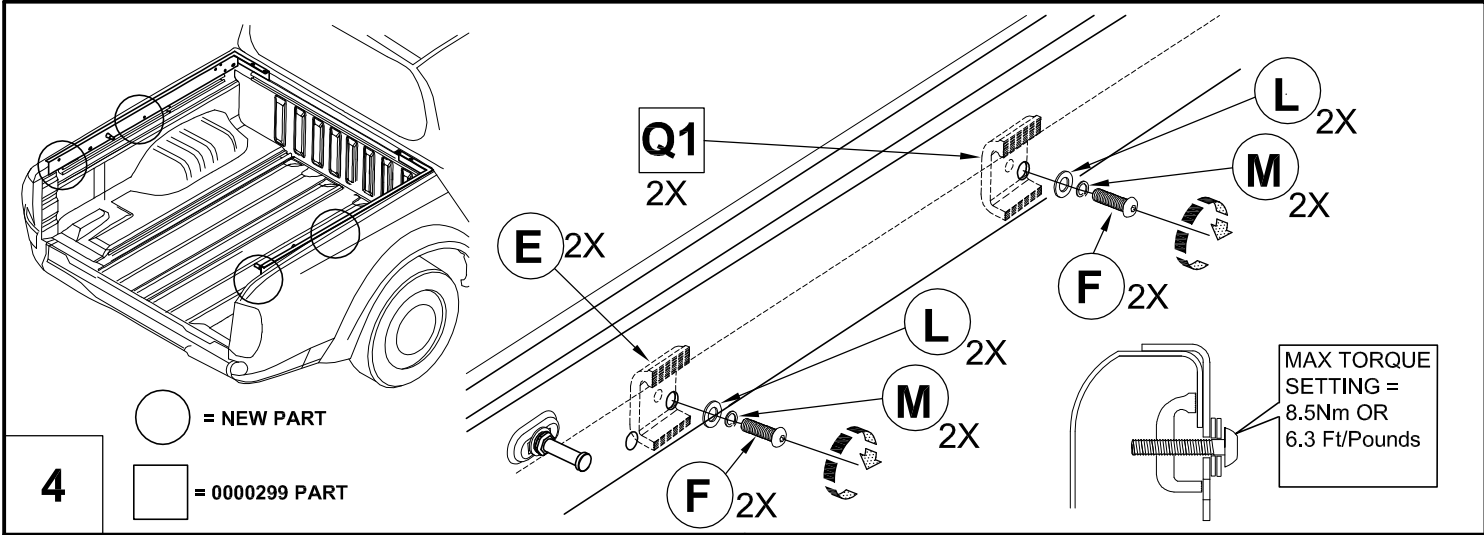
Note 1: If at any stage of installation you find your sportlid to be an unacceptable fit please contact the manufacturer before continuing.
Tools required: 4mm & 5mm Allen keys, 14mm Wrench

= NEW PART
 = 0000299 PART

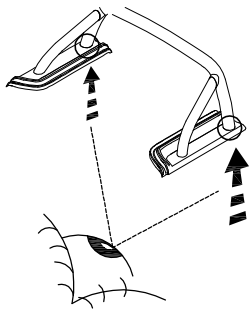
INSTALLATION TIME APPROX: 30 Minutes



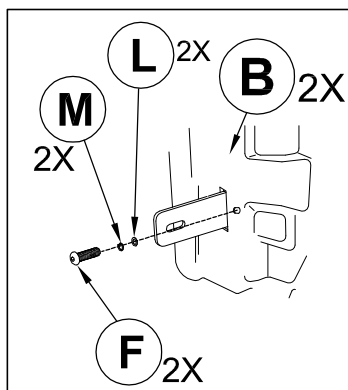
Fitting Kit Number	Manufacturer	Model Type	Year	Stockist	Cab Size	Product	Revision	Date	Page
IDFK135	Isuzu	RT50 DMax	2012	General Use	DC	Sportlid2	1	25-02-13	1 of 6



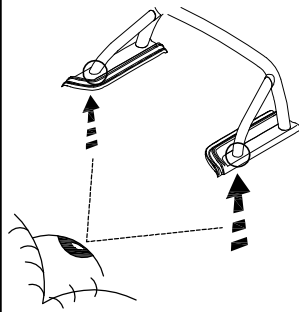
Fitting Kit Number	Manufacturer	Model Type	Year	Stockist	Cab Size	Product	Revision	Date	Page
IDFK135	Isuzu	RT50 DMax	2012	General Use	DC	Sportlid2	1	25-02-13	2 of 6



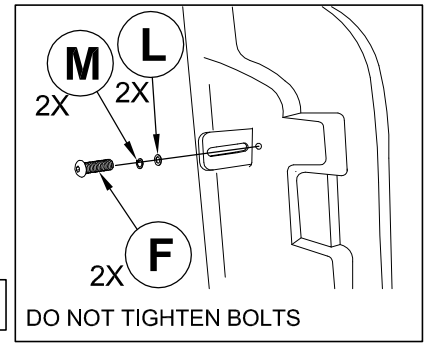
See underside of side pods



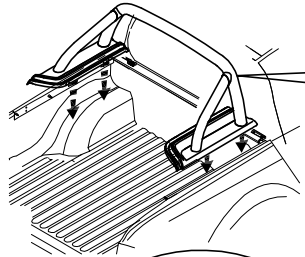
10



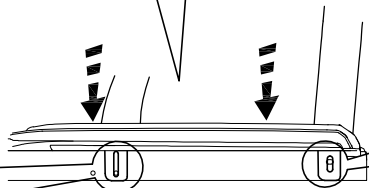
See underside of side pods



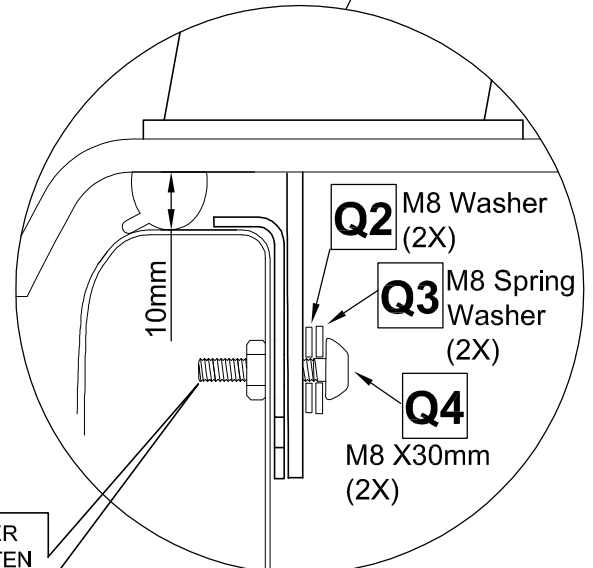
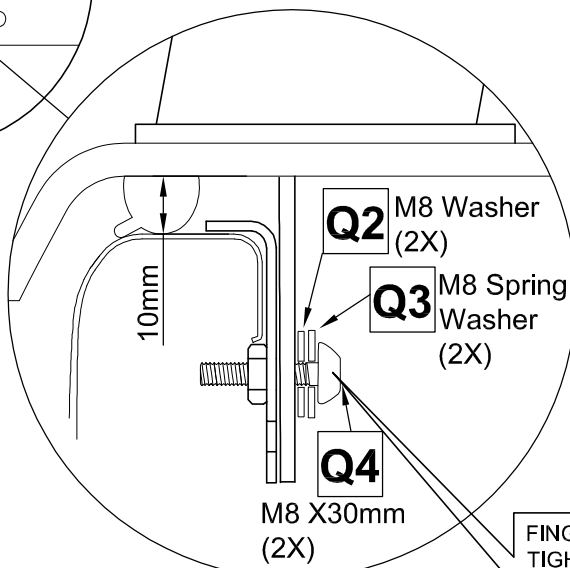
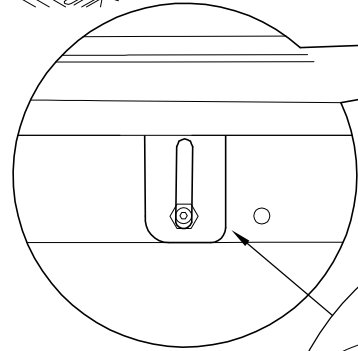
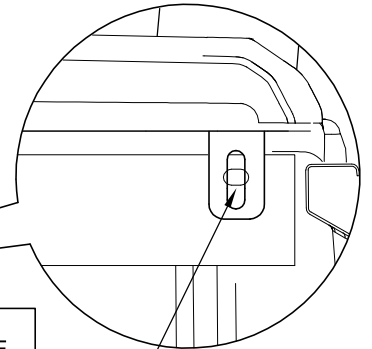
11



PLACE THE ASSEMBLED SPORT BAR & SIDE PODS ONTO THE VEHICLE TUB AS SHOWN (FINGER TIGHTEN ONLY)



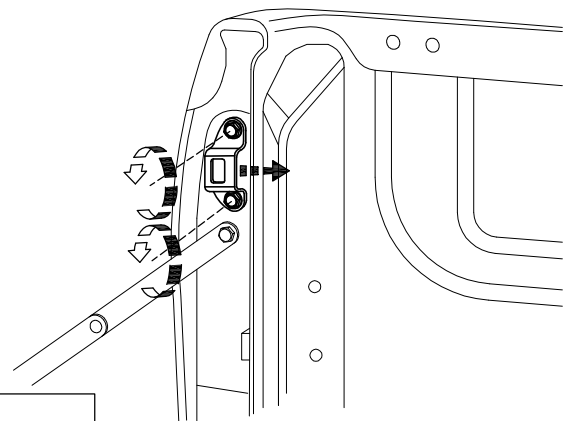
ALIGN HOLES ON BRACKETS WITH WELDED NUTS ON THE UNDERSIDE OF THE MOUNT RAIL AS SHOWN



○ = NEW PART
 □ = 0000299 PART

FINGER TIGHTEN ONLY

12



Adjust latch bracket to align tailgate



13

Fitting Kit Number	Manufacturer	Model Type	Year	Stockist	Cab Size	Product	Revision	Date	Page
IDFK135	Isuzu	RT50 DMax	2012	General Use	DC	Sportlid2	1	25-02-13	3 of 6



RAIN SEAL MUST BE APPLIED AFTER PAINT PROCESS IS COMPLETE

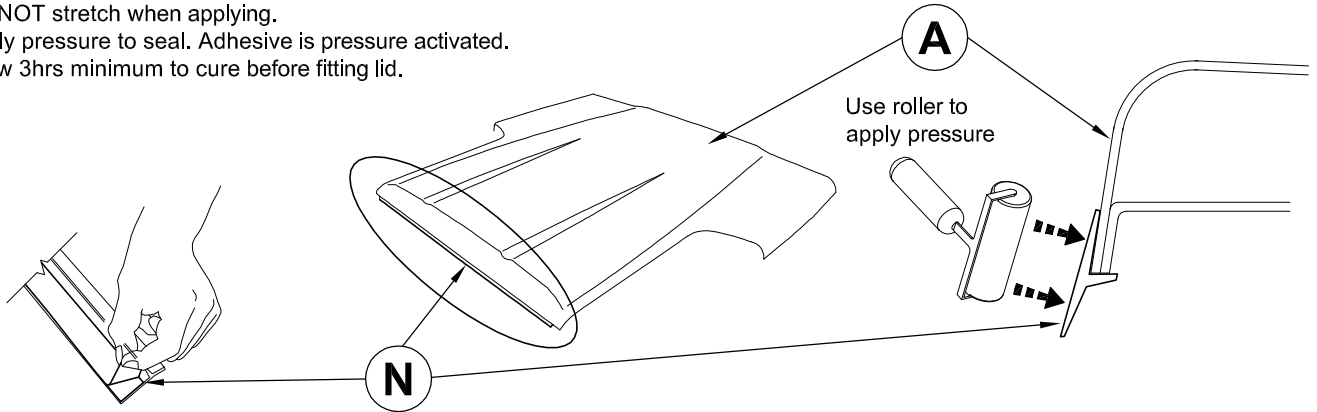
DO NOT apply below 15°C.

DO NOT stretch when applying.

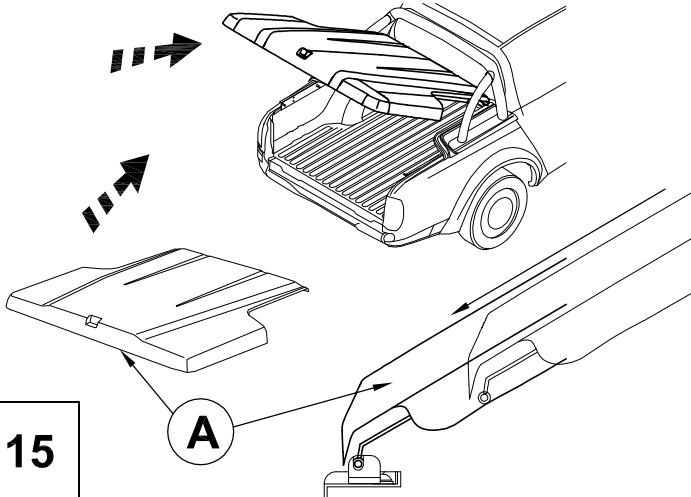
Apply pressure to seal. Adhesive is pressure activated.

Allow 3hrs minimum to cure before fitting lid.

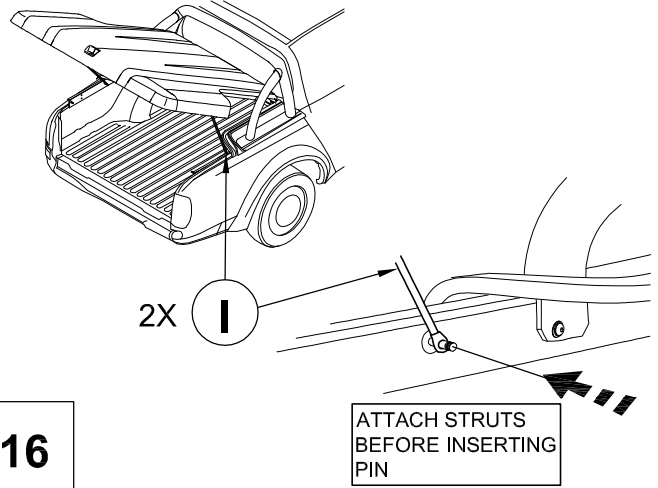
14



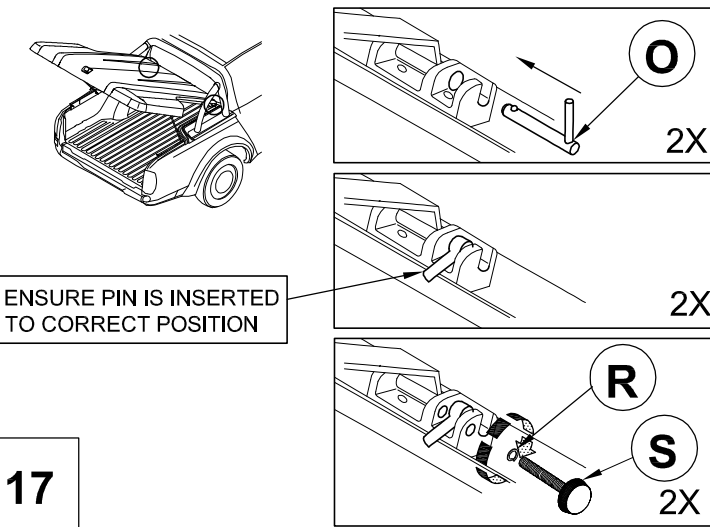
15



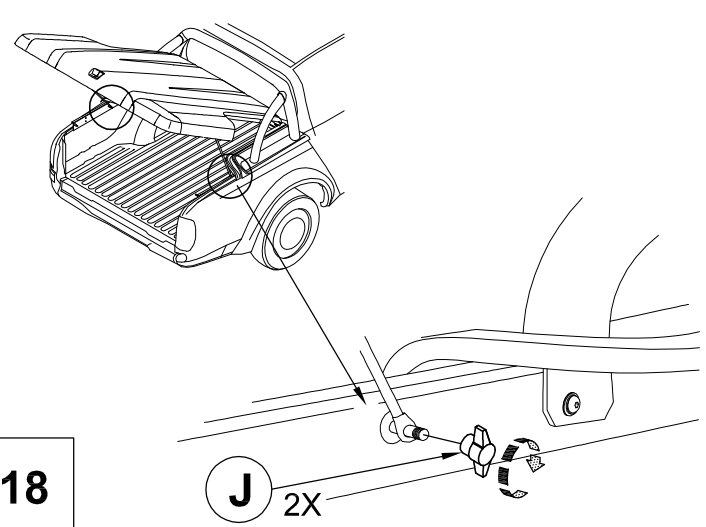
16



17

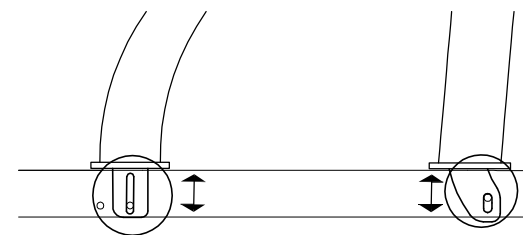


18

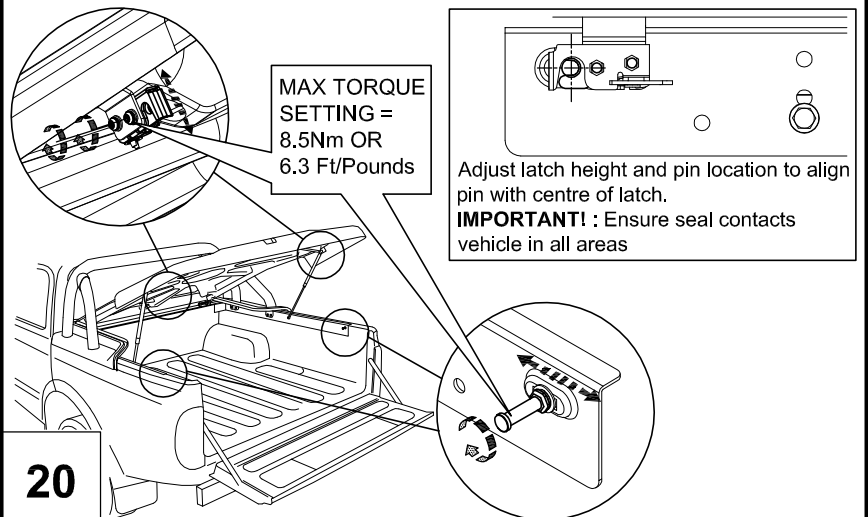


19

SPORTBAR IS ADJUSTABLE VERTICALLY (BOLT TORQUE SETTING 8NM)

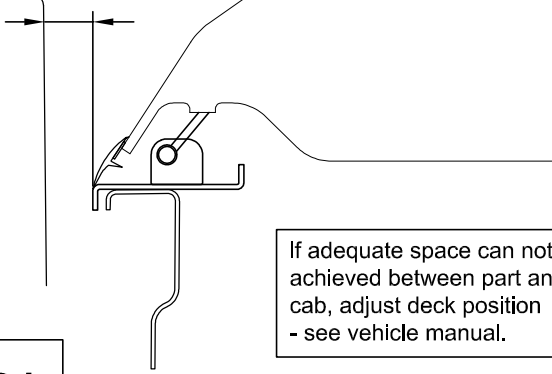


20

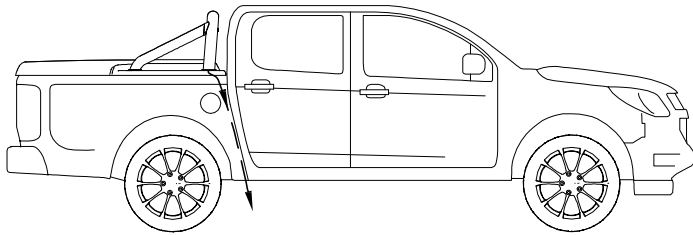


Fitting Kit Number	Manufacturer	Model Type	Year	Stockist	Cab Size	Product	Revision	Date	Page
IDFK135	Isuzu	RT50 DMax	2012	General Use	DC	Sportlid2	1	25-02-13	4 of 6

12mm Minimum

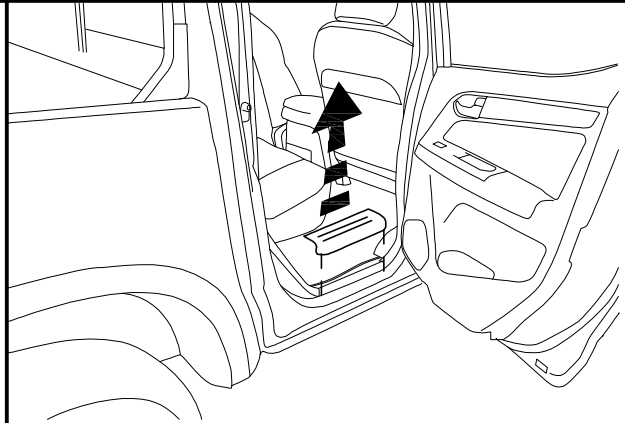


21



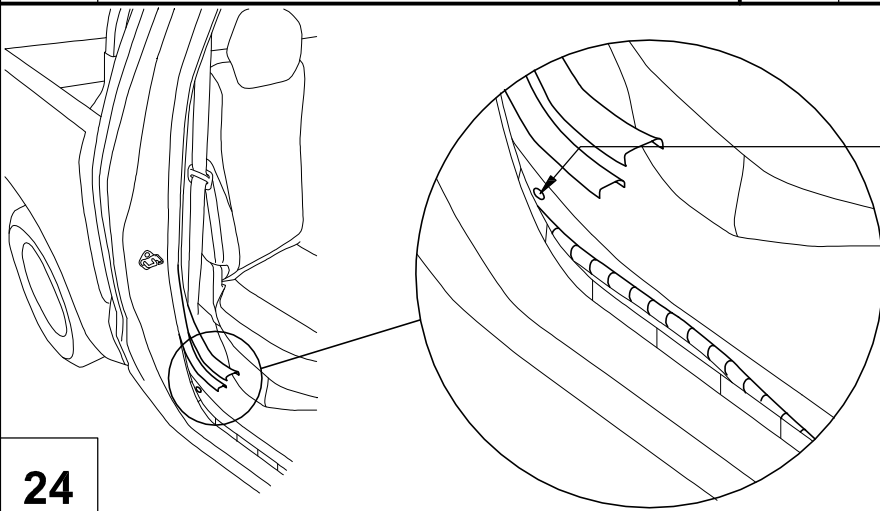
22

-Run the sportbar wire down the front right corner of the vehicle tub.



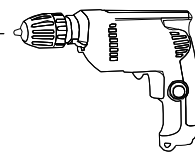
23

-Remove kick panel and pinch weld cover to expose wires.

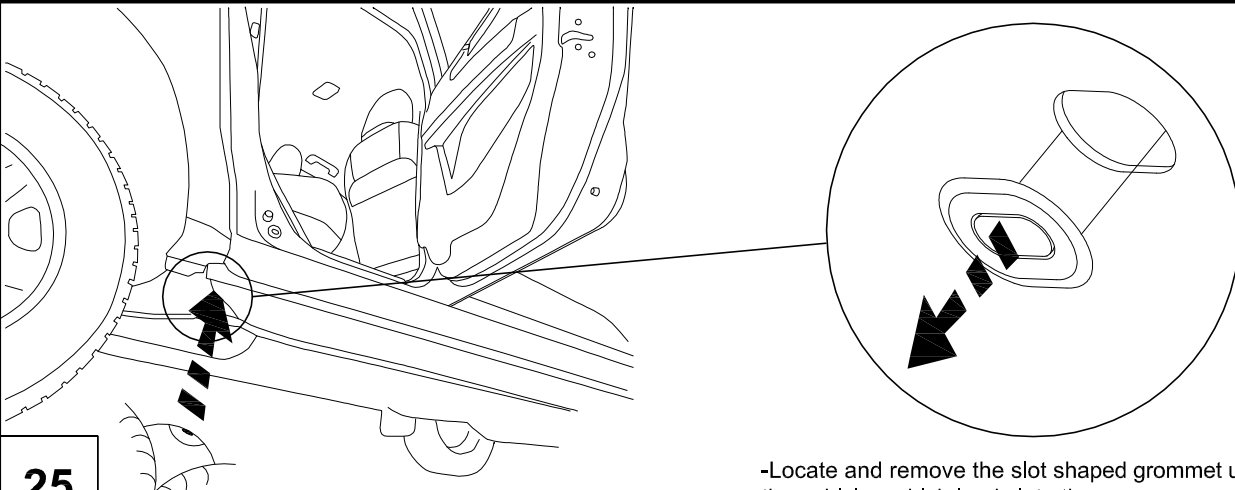


24

Ø12mm (1/2")



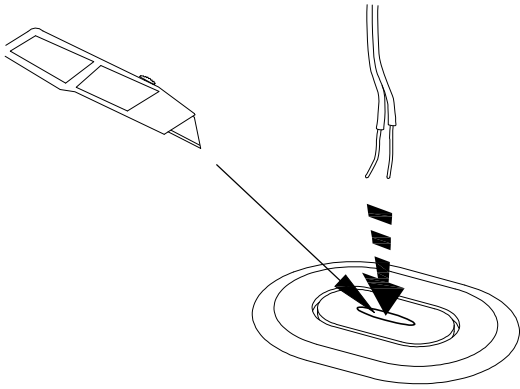
- Drill into the cavity in the lower, rear corner.
- Debur and clean away any swarf.
- Paint any bare metal to prevent corrosion.



25

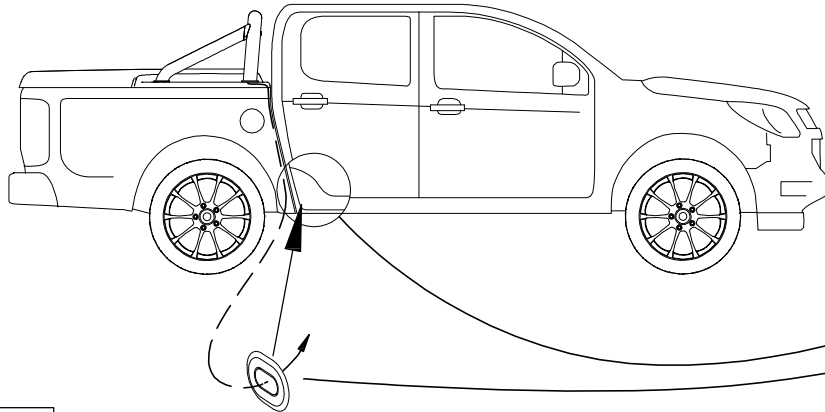
-Locate and remove the slot shaped grommet underneath the vehicle, which leads into the rear corner cavity.

Fitting Kit Number	Manufacturer	Model Type	Year	Stockist	Cab Size	Product	Revision	Date	Page
IDFK135	Isuzu	RT50 DMax	2012	General Use	DC	Sportlid2	1	25-02-13	5 of 6



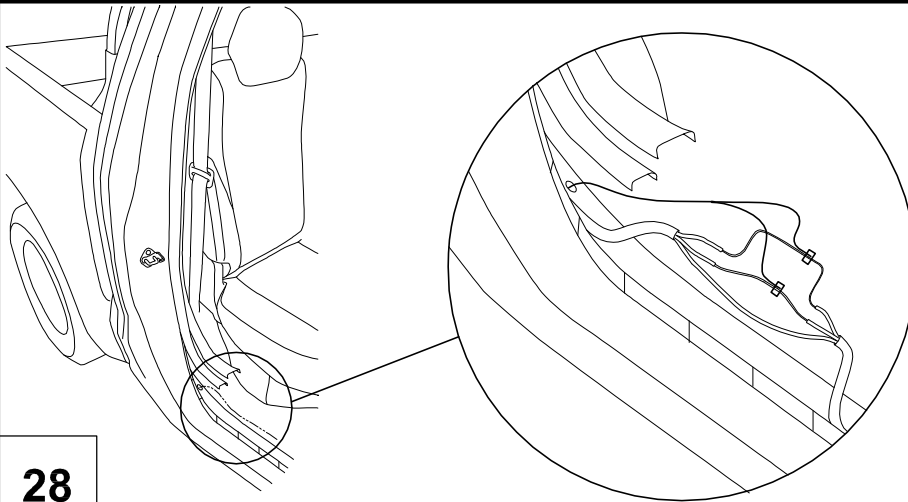
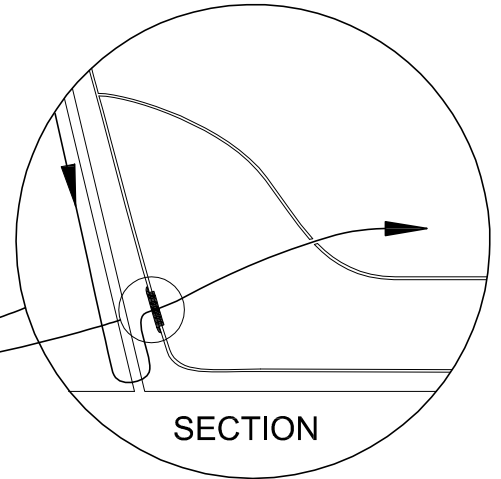
26

-Cut a small hole to feed the sportbar brake light wire through



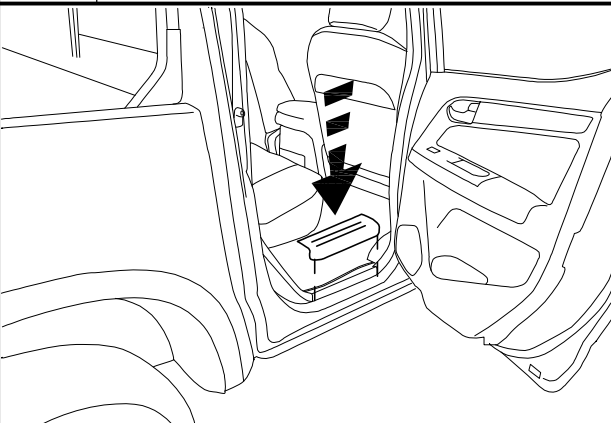
27

-Feed the sportbar wire through the slot into the cavity.
-Feed the wire out of the cavity through the drilled hole.



28

-Locate the high mount stoplight power and earth wire.
-Double check all wires to ensure the seat belt pre-tensioners or interior light are not disrupted.
-Scotch lock the required wires together.



29

-Test to ensure correct installation.
-Replace kick panel and pinch weld cover.

Tighten all bolts to torque settings stated.

Retain these instructions for future reference.

Fitting Kit Number	Manufacturer	Model Type	Year	Stockist	Cab Size	Product	Revision	Date	Page
IDFK135	Isuzu	RT50 DMax	2012	General Use	DC	Sportlid2	1	25-02-13	6 of 6